



# CL4.0AN+

## High Quality Ceiling Speaker

### 高品质吸顶扬声器



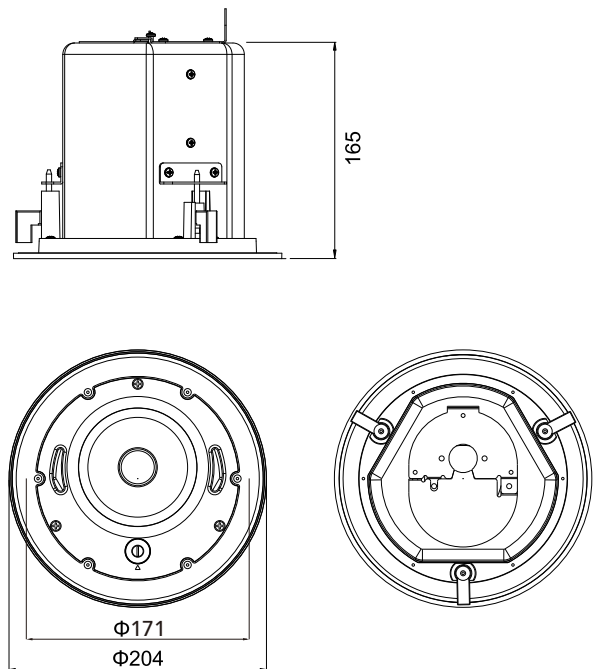
CL4.0AN+ is a dual channel Class D 2 x 45W power amplifier with Dante network audio input interface and POE power supply added to CL4.0. It can be used with Xilica Designer software, Neutrino/UNO series with Dante network audio media matrix. A CL4.0AN+ can drive another CL4.0. Dante network can receive 2 channels of audio signal input, and can be used as left and right channel stereo mode. A network cable to complete the control/audio/power supply, provide audio integrators with cost-effective and simple solutions, and also provide sound reinforcement quality that is not available in general background music speakers.

CL4.0AN+是CL4.0的基础上增加了一个 Dante 网络音频输入接口及POE 供电的双通道D类2 x 45W 功放。可与 Xilica Designer 软件, Neutrino/UNO 系列带 Dante 网络音频媒体矩阵配合使用, 1只 CL4.0AN+可带动另外1只CL4.0。Dante 网络可接收2路音频信号输入, 可作左右声道立体声模式。一条网线, 完成控制/音频/供电, 为音频集成商提供高性价比及简单的解决方案同时, 也提供一般背景音乐音箱所不具备的扩声品质。

## Characteristic特点

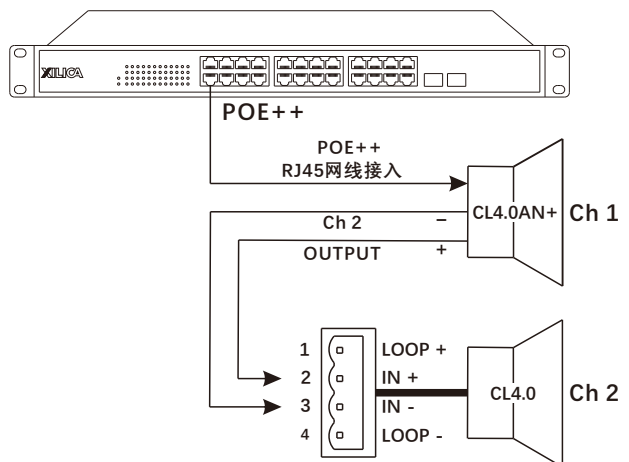
- Exceptional voice and music reproduction
- 非凡的语音和音乐再现效果
- Simple and convenient power setting
- 简单方便的功率设置
- Easy and fast installation and flexible assembly安装
- 方便快捷, 装配灵活
- CE compliant
- 符合CE标准

## Three View三视图



Measurement尺寸(Unit单位:mm毫米)

## Connection Diagram接线图



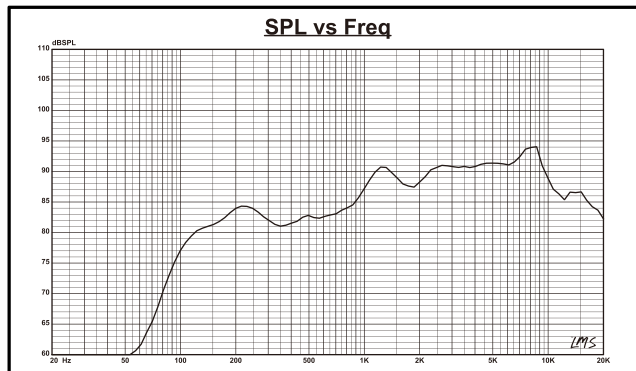
\*\* (建议选用POE++电源供应器)

## Technical Specification 技术规格

Mechanical Specification 指标	
Maximum Power 最大功率	30W
Rated Power 额定功率	20W
Sensitivity 灵敏度(1m/1W)	88dB
Maximum Sound Pressure 最大声压级(1m/20W)	101dB
Frequency Response 频响范围	200Hz ~ 18kHz
Open Angle 开放角度(1kHz / -6dB)	150°
Power Amp 功放	2x35W (PoE++)
Connector 连接器	EU 4PIN 欧式端子 Ch 2输出
Dante RJ45网口输入	1个
Appearance Specification 机械指标	
Product Size 产品尺寸	Φ204 x 165mm
Open Hole Size 开孔尺寸	Φ171mm
Baffle/Back Bucket 面板/后桶	ABS/铁
Mesh Cover 网罩	Metal 铁网
Product Weight 产品重量	2.2kg
Product Color (Mesh Cover) 产品颜色(网罩)	White 白色(RAL9016)
Product Color (Back Shell) 产品颜色(后壳)	Black 哑黑色(RAL9004)
Horn Unit Size 喇叭单元尺寸	Low低音: 4" High高音: 3/4"
Environmental Specification 环境要求	
Operating Temperature 操作温度	-25°C to +55°C
Storing Temperature 存储温度	-40°C to +70°C
Relative Humidity 相对湿度	<95%

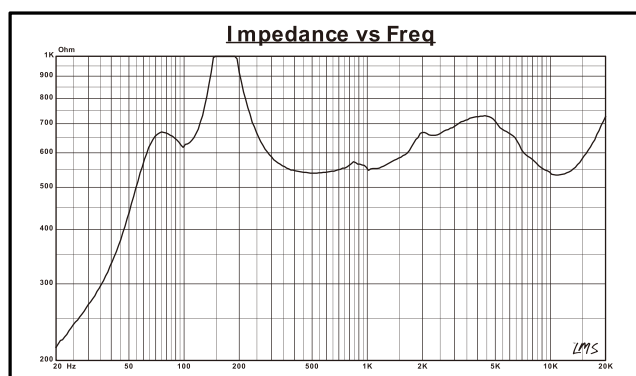
## Frequency Response Diagram

### 频率响应图



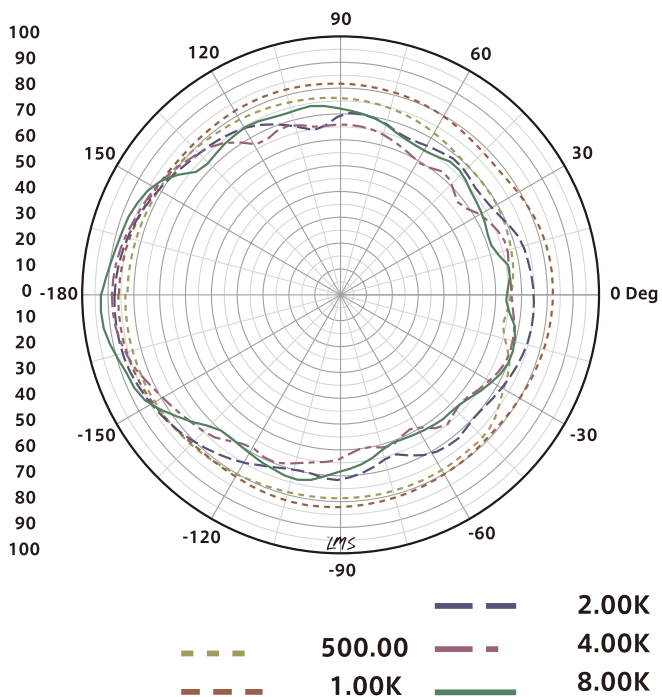
## Impedance Diagram

### 阻抗图



## Directivity Diagram

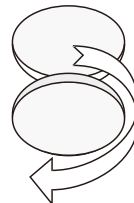
### 指向性图



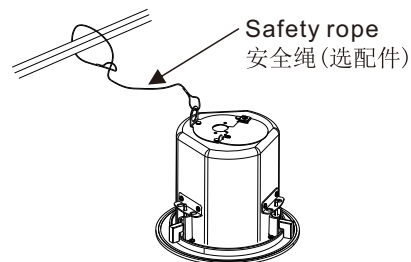
## Installation Guide

### 安装说明

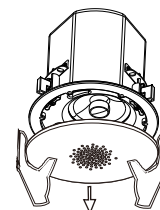
1. Open one  $\Phi 171$ mm hole on the ceiling  
在天花板上开一个 $\Phi 171$ mm的孔位。



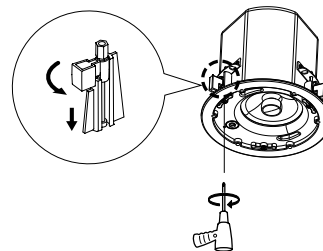
2. Fix the safety rope to the reinforcement or bolt near the horn opening to avoid horn falling  
将安全绳固定到喇叭开口附近的钢筋或螺栓上，以避免喇叭掉落。



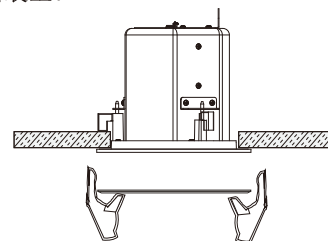
3. Take out the baffle  
将产品网拆出。



4. Connect the audio signal cable, screw tight to the ceiling according to the pre-opened hole  
连接音频信号线，按预先开好的孔将产品安装到天花板上，并拧上螺丝 使卡舌与天花板固定。



5. Put back the baffle  
将网重新装上。



## Xilica Corporation

3455 Bethesda Road, Stouffville,  
Ontario Canada. L4A 3Z4  
www.xilica.com or cn.xilica.com