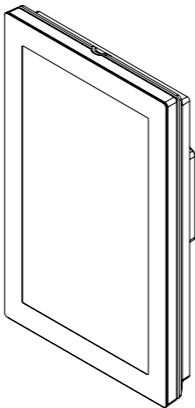




TP-5 - 5" Touch Panel User Interface Quick Install Guide



Important Safety Instructions

1. Read, understand and follow ALL safety and installation instructions included in this manual. Failure to follow the included documentation may damage the product and will void manufacturer's warranty.
2. Follow ALL installation guidelines included with the product. Installation of the product in high humidity environments, in close proximity to heat sources and / or non-recommended locations WILL impede, interfere and/or damage the intended operation of the product.
3. Only use attachments and accessories which have been specified for use by for use by the manufacturer.
4. The use of abrasive, liquid or solvent based cleaning fluids WILL damage the product.
5. Product Servicing may ONLY be completed by authorized or certified service centers & personnel. For a complete list of product servicing options, please follow instructions included in the product documentation and /or contact original manufacturer for details.

FEDERAL COMMUNICATIONS COMMISSION INTERFERENCE STATEMENT:

This equipment has been tested and found to comply with the limits for a Class B digital device, pursuant to part 15 of the FCC Rules.

These limits are designed to provide reasonable protection against harmful interference in a residential installation. This equipment generates, uses and can radiate radio frequency energy and, if not installed and used in accordance with the instructions, may cause harmful interference to radio communications. However, there is no guarantee that interference will not occur in a particular installation. If this equipment does cause harmful interference to radio or television reception, which can be determined by turning the equipment off and on, the user is encouraged to try to correct the interference by one or more of the following measures:

- Reorient or relocate the receiving antenna.
- Increase the separation between the equipment and receiver.
- Connect the equipment into an outlet on a circuit different from that to which the receiver is connected.
- Consult the dealer or an experienced radio/ TV technician for help.

The TP-5 has been designed to provide years of trouble free operation when wired and installed properly.

The TP-5 has been designed for installation in low humidity indoor environments and should never be installed outdoors or in high humidity areas.

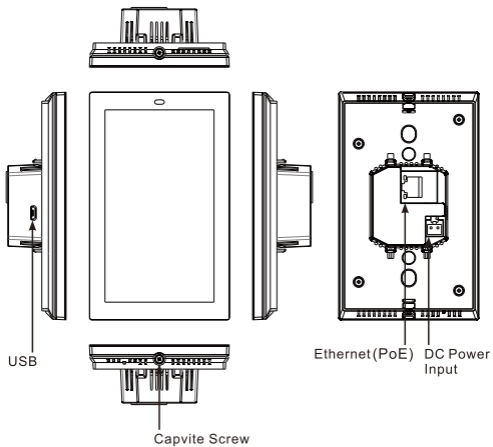
Included in the box

- 1ea TP-5 touch panel
- 1ea TP-5 mounting bracket
- 2ea Mounting Screws

Introduction

To install the TP-5 you will also need a standard US 1 gang junction box, or US 1 gang low voltage bracket, or EU 1 gang junction box, or UK 1 gang junction box.

TP-5 - Overview



Planning the installation

The TP-5 is designed to be wall mounted in either Portrait or Landscape orientation.

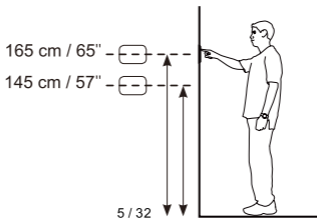
The TP-5 requires a minimum mounting depth of 1"(2.54cm) from the front surface plus room for cable/s. Power may be supplied by Power Over Ethernet (PoE) or by a 12v DC power supply (not included). PoE must meet the IEEE 802.3at standard. Direct power via a 12v DC external power supply requires a minimum current output of 1A. The TP-5 connects to the local network via a hard wired Ethernet connection.

1

Installing the TP-5

a. Mounting height

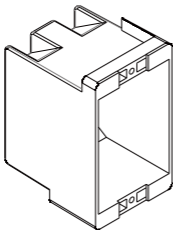
- The recommend mounting height for the TP-5 is 57"- 65" (145 cm -165 cm) above the finished floor.



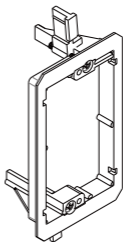
b. Rough-In

The TP-5 has been designed to mount to a US standard single gang junction box, low voltage bracket, EU single gang junction box, or UK single gang junction box.

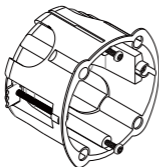
– The TP-5 mounting bracket, included in the box, should be attached to the US single gang bracket/ US junction box with the screws supplied. The TP-5 attaches to the included bracket via 2 captive screws located at the top and bottom of the TP-5.



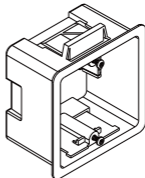
US 1 gang box



US 1 gang bracket



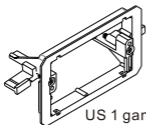
EU 1 gang box



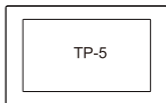
UK 1 gang box

c. Landscape Mounting

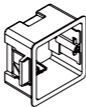
- Install the single gang junction box or low-voltage bracket horizontally - with TP-5 mounting screw holes on the left and right sides.



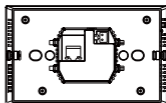
US 1 gang bracket



EU 1 gang box

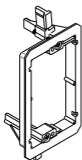


UK 1 gang box



d. Portrait Mounting

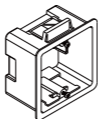
- Install the 1 gang box junction box or low-voltage bracket in it's normal orientation - with mounting screw holes at the top and bottom.



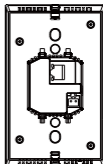
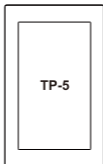
US 1 gang bracket



EU 1 gang box

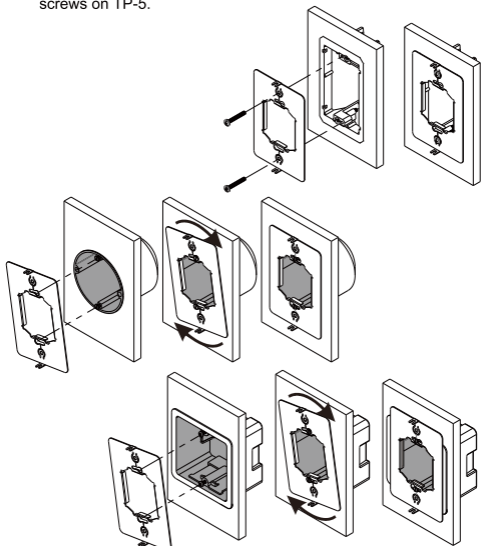


UK 1 gang box



e. Installing the TP-5 mounting bracket

- Using the included screws mount the mounting bracket onto the US 1 gang junction box, low voltage bracket.
- To install on EU/ UK 1 gang junction box, loosen out the screws on the gang box first, then install and rotate the mounting bracket.
- Verify that the bracket is level before tightening the captive screws on TP-5.

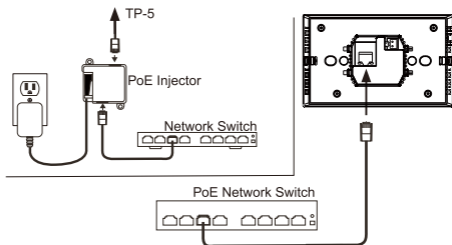


f. Connecting the TP to power

- The TP-5 is designed to be powered over the Ethernet connection (PoE) or by connecting a 12v power supply (not included), but not both. If both the PoE and a 12v power supply are connected the TP-5 will draw power from the 12v source.

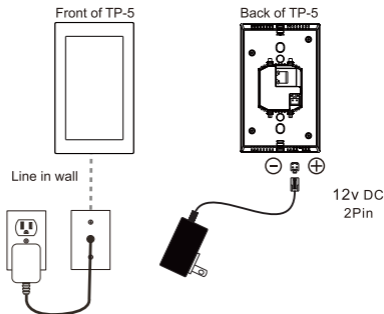
PoE Connection

- PoE connection requires that IEEE 802.3at standard. Utilize a network switch or PoE injector that meets this standard.
- Connect the TP-5 using a standard T568A or T568B Ethernet cable from the network switch to the Ethernet /PoE jack on the back of the TP-5



12v Power Supply

- By utilizing a 12v power supply (not included) to power the TP-5 you may provide power locally or remotely. If powering locally be sure to run the wire through the wall in accordance with local codes. If powering remotely be sure to use wire of adequate gauge for the length of the run.
- Verify the polarity of the 2 Pin connector on your power supply prior to connecting to the TP-5. The right pin of the TP-5 Power Connector is positive and the left pin is negative. If the wire is to be extended ensure compliance with local codes.
- Plug the connector into the TP-5 DC jack on the back of the TP-5.



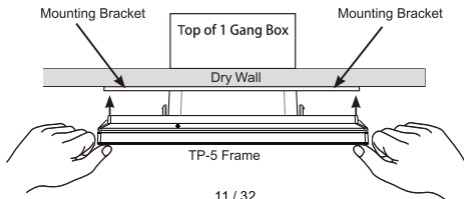
g. Connecting Ethernet

- When not utilizing PoE, it is recommended that you connect the TP-5 directly to the network switch.
- Utilizing a T568A or T568B network cable connect to the Ethernet/PoE jack.

h. Installing the TP-5

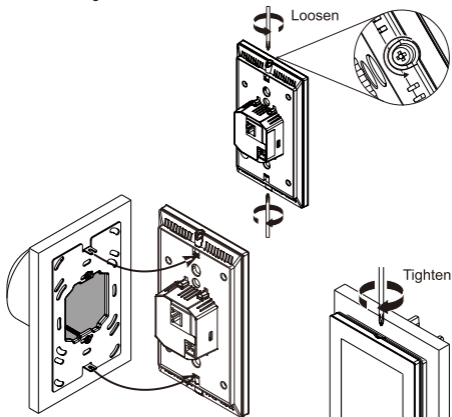
- The TP-5 snaps in when it's pushed to the mounting bracket, and will be held into the mounting bracket by 2 mounting screws which locate on the left and right sides of the TP-5 when mounted in landscape mode.
- Orient the TP-5 for the desired portrait or landscape mounting option.
- To complete the installation, insert the TP-5 into the included bracket and tighten the 2 captive screws to secure the TP-5 on the mounting bracket.

CAUTION: DO NOT PRESS DIRECTLY ON THE SCREEN when installing the unit on to the mounting bracket. Press only on the frame edges.



i. Mounting the TP-5

- Loosen the captive screws of the unit first. (Screws should not be moved apart from the unit.) (Loosen for 4 loops.)
- Align the mounting bracket hooks with the TP-5 mounting slots and gently press the TP-5 unit toward the mounting bracket/wall.



Make sure the mounting hooks are properly engaged.

Tighten the 2 captive screws to secure the TP-5 to the mounting bracket.

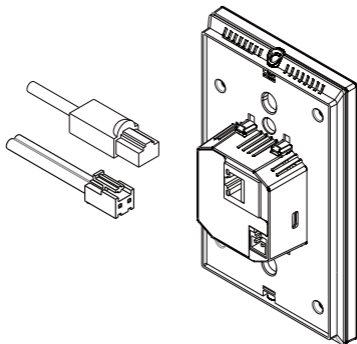


2

Powering up the TP-5

The TP-5 will automatically power on when power is applied. Wait for the unit to boot up.

- When connected to a switch by Ethernet cable the TP-5 will acquire a network address via DHCP and automatically connect to the system.
- When it's powered up, the TP-5 will display a Touchpanel Setup screen.

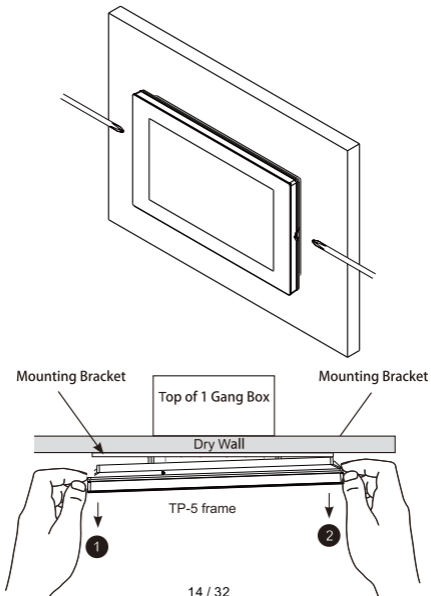


If you are using an external power adapter/source, connect the 2 Pin connector of the adapter/source to TP-5 power jack.

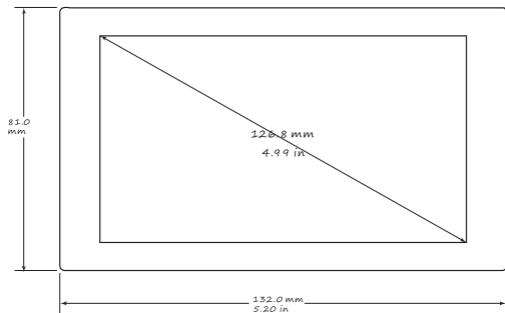
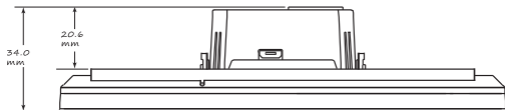
3

Removing the TP-5

- Using a precision philips head screw driver to loosen the 2 captive screws on the TP-5, and pull out from the wall by following the step 1 and 2.



TP-5 - Dimensions



TP-5 - Specifications Description

Display (Front Panel) Capacitive Touch Surface, In-Plane Switching (IPS) technology, 16.7M colors.

Dimensions (HWD)

inches	5.2 x 3.19 x 1.34
millimeters	132.0 x 81.0 x 34.0

User Interface (diagonal viewing area)	5.0" (126.8mm)
--	----------------

Resolution	1280 x 720
------------	------------

Brightness	400 Nits
------------	----------

Panel Orientation	Landscape / Portrait
-------------------	----------------------

Rear Panel

RJ-45 LAN, 1000 Mbps, LEDs for network status and activity

Power

Power Over Ethernet	IEEE 802.3af class 3 PD (PoE). Receives power via LAN port
---------------------	---

Auxiliary	DC power supply (not included) +12VDC @ 1.0A minimum
-----------	---

Enclosure

Wall Mount	Yes
------------	-----

Table Top	No
-----------	----

Weight

Product Weight (net)	0.2 kg
----------------------	--------

Environment

Operating Temperature	32°-122° F (0°-50° C)
-----------------------	-----------------------

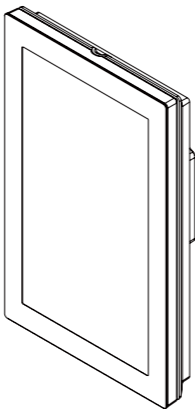
BTUs	17 typical
------	------------

Humidity	5 to 85% RH, non-condensing
----------	-----------------------------

Vibration	16 Grms
-----------	---------

Note: Specifications are subject to change without prior notice

快速安装指南



重要安全须知

1. 阅读、理解并遵循本手册中包含的所有安全和安装说明。违反本手册的操作将可能会损坏产品，并将不能享受制造商的保修服务。
2. 遵循产品包含的所有安装指南。不要将本产品安装在高湿度环境中，靠近热源或不推荐的位置使用将妨碍、干扰或损坏本产品。
3. 仅使用由制造商指定使用的附件和包装配套的附件。
4. 使用研磨性、或溶剂型的清洗液会损坏产品。
5. 产品售后服务只能由授权或认证的服务中心&人员完成。要获得完整的产品服务,请遵循产品的说明书或联系制造商了解更多的详细信息。

联邦通信委员会干涉声明：

根据FCC规则第15部分，该设备已经通过测试，并符合B类数字设备的限制。这些限制旨在为住宅设施提供合理的保护，防止有害干扰。该设备产生、使用并能辐射射频能量，如果不按照说明书安装和使用，可能会对无线电通信造成有害干扰。但是，不能保证在特定的安装中不会发生干扰。如果该设备确实对无线电或电视接收造成有害干扰，可以通过关闭和打开设备来确定，鼓励用户尝试通过以下一种或多种措施来纠正干扰：

- 重新定位或重新安置接收天线。
- 加大设备与接收器之间的距离。
- 将设备连接到与接收器连接的电路不同的电路插座上。
- 向经销商或有经验的技术人员寻求帮助

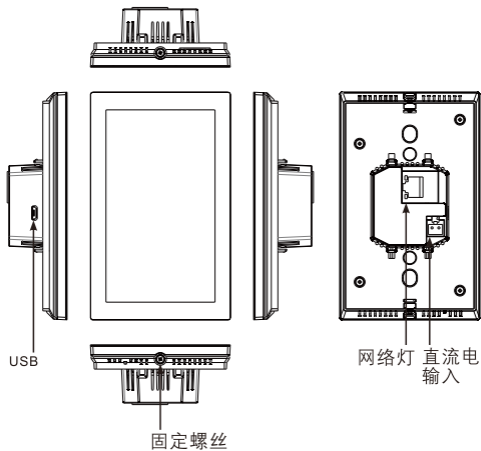
TP-5在正确使用的情況提供多年的保修。
TP-5专为低湿度的室内环境而设计的，不应安装在室外或高湿度的地方。

包装清单：

- 1台TP-5整机
- 1套安装支架
- 2颗螺丝

为了安装TP-5，你还需要一个标准的美式1位接线盒，或美式内墙支架，或欧式接线盒，或英式接线盒。

TP-5 - 概览



安装准备

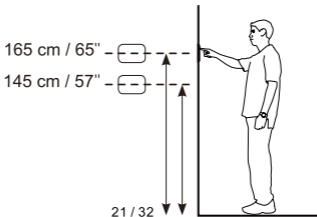
TP-5可横向/纵向安装

TP-5的安装深度为1"(2.54cm)墙面加线缆的空间。供电方式为以太网(POE)或12v直流电输(包装不含)。POE必须符合IEEE802.3at标准。通过12v直流外部电源直接供电,要求最小电流输出1A。TP-5通过以太网连接到本地网络

1 TP-5安装步骤

a.安装高度

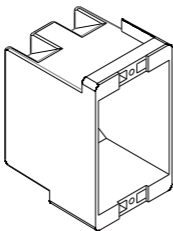
- TP-5的推荐安装高度为距地面57"-65"
(145厘米-165厘米)。



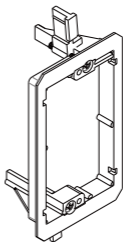
b. 预留安装盒

TP-5可安装到美国标准1位接线盒，内墙支架，欧式1位接线盒，或英式1位接线盒

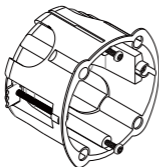
- TP-5包装内的支架，可通过配套的螺丝连接到美式内墙支架/1位接线盒。TP-5亦可以用2颗配套的螺丝，将TP-5固定到配套的支架上。



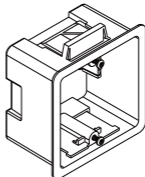
美式1位盒



美式支架



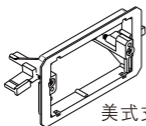
欧式1位盒



欧式支架

c. 水平安装

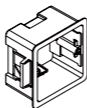
- 将1位盒或内墙支架水平安装—TP-5左右两侧装上螺丝。



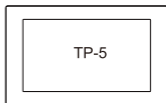
美式支架



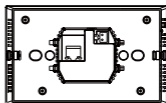
欧式1位盒



欧式支架

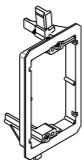


TP-5



d. 纵向安装

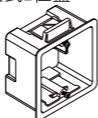
- 将1位盒或低压支架按纵向安装-在顶部和底部装上螺丝。



美式支架



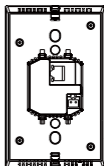
欧式1位盒



欧式支架

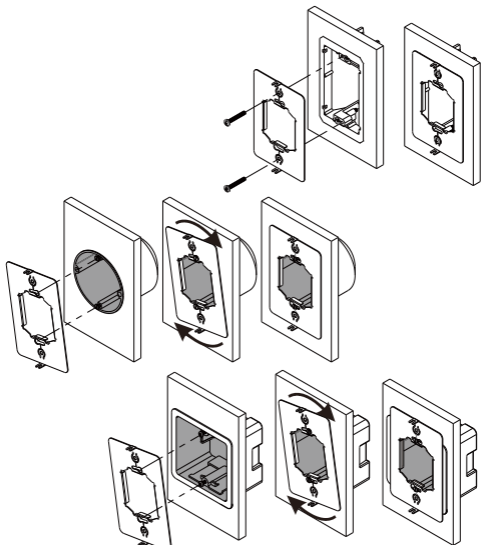


TP-5



e. 安装TP-5支架

- 用螺丝将配套的支架安装到美式1位接线盒、内墙支架上
- 先松开接线盒上的螺丝，然后安装并旋转安装支架。
- 确认好支架的角度，然后上紧螺丝

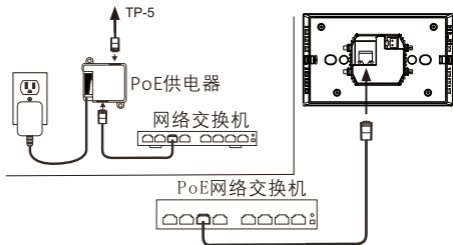


f. 通电

- TP-5可以通过以太网连接(PoE)或连接12v外置电源(包装不含)供电，但不能同时使用。如果PoE和12v外置电源同时连接，TP-5将优先从外置电源获取电力

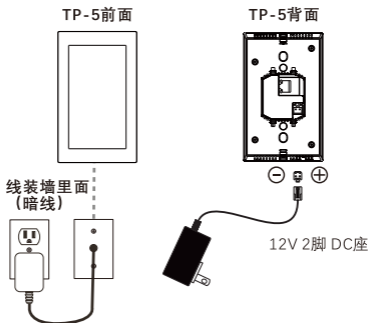
PoE 供电

- PoE供电必须符合IEEE802.3at标准。使用符合此标准的网络交换机或PoE供电器。
- TP-5通过使用标准的T568A或T568B以太网线从网络交换机连接到TP-5背面的Ethernet/PoE接口。



12v直流电通电

- 通过使用12v电源(包装不含)为TP-5供电，您可以就地或远程供电。如果就地供电，请确保电线穿过墙壁，符合当地规范。如果远程供电，请确保使用合规的电线，和足够的长度运行。
- 在通电前，请验证电源插头上的2针的极性。TP-5电源连接器的右引脚为正，左引脚为负。如果要对电线进行延伸，请确保符合当地规范。
- 将接口插入TP-5背面的DC插口



g. 网络连接

- 不使用POE时，建议将TP-5直接连接到网络交换机
- 使用T568A或T568B网线连接Ethernet/PoE接口

h. 安装TP-5

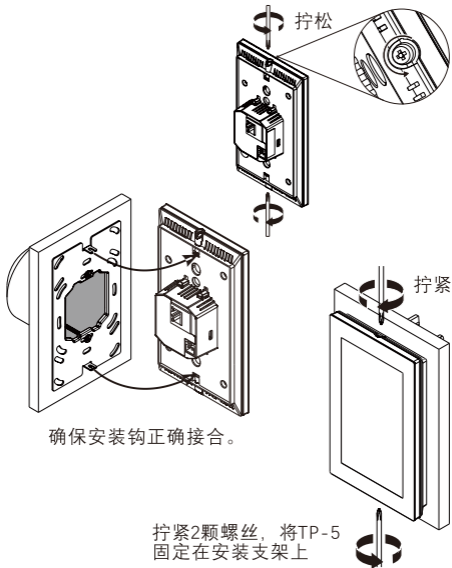
- 把TP-5推到安装支架上时，TP-5会自动卡入支架中。当TP-5横向安装时，安装螺钉位于TP-5的左右两侧。
- 根据实际需要，将TP-5水平或纵向固定好
- 固定位置后，上紧螺丝，即完成所有的安装步骤

注意:请勿直接按压屏幕
将本机安装到安装支架上时。只按框架边缘。



i. 悬挂TP-5

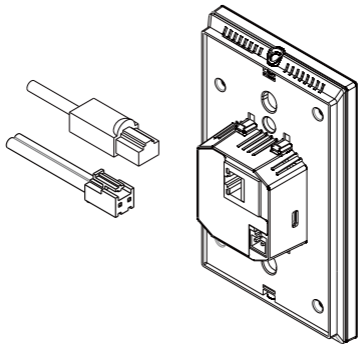
- 先拧松设备上的螺丝，但不要完全拿走螺丝
- 将安装支架挂钩对准TP-5安装槽，轻轻地将TP-5向安装支架/墙壁方向按压。



2 TP-5供电

通电后，TP-5将自动开机。等待设备启动。

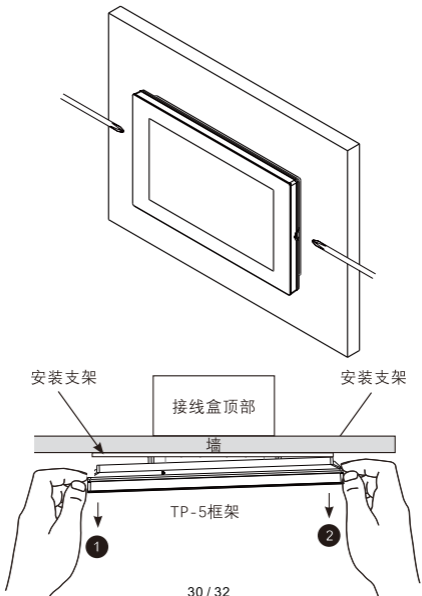
- 当通过以太网线连接到交换机时，TP-5将通过DHCP获取一个网络地址，并自动连接到系统。
- 启动后，TP-5将显示Touch panel 设置界面。



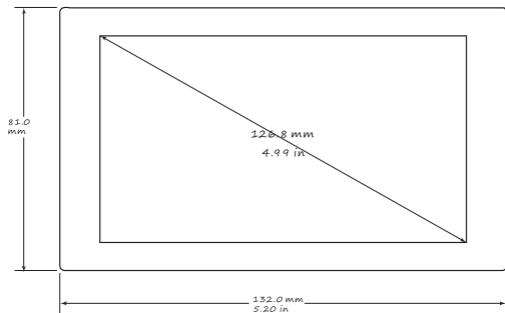
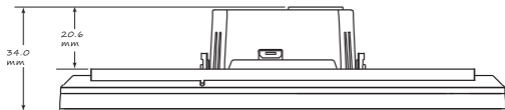
如果使用外置电源适配器/电源，将适配器/电源的2针连接器连接到TP-5电源插孔。

3 取出TP-5

- 用十字螺丝刀松开TP-5上的2颗螺丝，按照步骤1和步骤2将TP-5从墙上拔出。



TP-5 - 尺寸



TP-5 - 规格说明

显示屏 (前面板) IPS电容式触摸屏幕, 1670万色彩

尺寸 (高 x 宽 x 深)

英寸 5.2 x 3.19 x 1.34

毫米 132.0 x 81.0 x 34.0

用户界面 (对角线显示区域) 5.0"(126.8毫米)

分辨率 1280 x 720

亮度 400 尼特

面板方向 横向/纵向

后面板

RJ-45 100Mbps网络及状态指示灯

电源

以太网供电 IEEE 802.3af class 3 PD (PoE)。
通过 LAN 端口接收电力

辅助设备 直流电源 (未包括在内) + 12VDC @ 1.0A (最低)

机罩

壁上安装 是

桌面 否

重量

产品重量 (净重) 约0.2千克

环境

工作温度 华氏 32°-122° (摄氏 0°-50°)

英国热量单位 (BTU) 17

湿度 5-85% RH, 无冷凝

振动 16 Grms

注意 规格如有变更, 恕不另行通知。